



# BORRI B400

## Technical Specification



○ Intelligent Card Slot



○ External Battery Connector



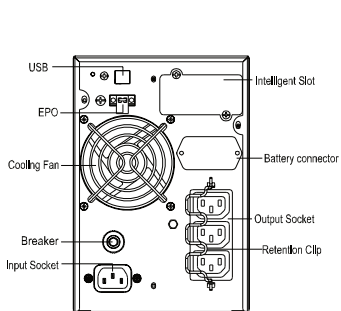
○ Plug Retaining Clip



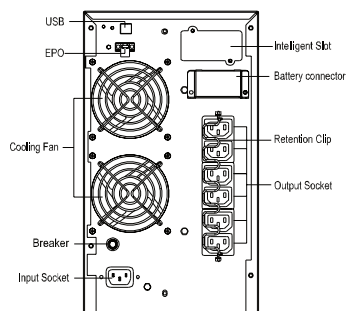
○ USB & EPO Connectors

MODELS	B400-010-B • B400-010-C	B400-020-B • B400-020-C	B400-030-B • B400-030-C
<b>INPUT</b>			
Input Voltage Window	110VAC-300VAC		
THDi	<5% with full load		
Power Factor	≥0.99(FULL LOAD)		
Input Frequency Range	45-55Hz / 54-66Hz		
<b>OUTPUT</b>			
<b>Power</b>			
Power(kVA) max	1.0	2.0	3.0
Power Factor	0.8 (Default)		
	0.6 - 1 (Flexible)		
<b>Output Voltage</b>			
Waveform	Pure Sine Wave		
Nominal voltage	200VAC*/208VAC**/220VAC/230VAC/240VAC		
Voltage regulation	± 2 %		
Transient recovery	100ms (IEC 62040-3 Non-linear load)		
<b>Output Frequency</b>			
Synchronization range	45-55Hz / 54-66Hz		
Slew rate	1 Hz/s		
Battery mode	(50/60±0.2) Hz		
<b>Transfer Time</b>			
Normal mode to battery mode	0ms		
Inverter to bypass, ECO mode	4ms		
<b>Full Load Efficiency</b>			
ECO mode	>94%		
<b>Overload Capability</b>			
	110% for 1 min; 125% for 30 seconds; >150% for 1 second		
Crest Ratio	3:1		
<b>BATTERY</b>			
Rating/Type	12VDC/7Ah • Charger Only	12VDC/7Ah • Charger Only	12VDC/7Ah • Charger Only
DC Voltage	36VDC	96VDC	96VDC
Back-up Time (full load)	>5minutes • N/A	>9minutes • N/A	>5minutes • N/A
<b>FEATURES</b>			
Eco-Mode; Dual Communication; Cold Start; EPO Connection; Fan Speed Control; USB Connectivity; Frequency Converter Mode***			
<b>MECHANICAL</b>			
W x D x H (mm)	145x400x220	192x460x347	
Net Weight	13kg • 7kg	31kg • 13kg	31kg • 13kg
AC Outlets	3 x 10A IEC	6 x 10A IEC	4 x 10A IEC + 1 x 16A IEC
Operating Temperature Range	0°C - 45 °C		
Relative Humidity	0 - 95% (Non Condensing)		
Audible Noise	<45dB @ 1meter		
<b>REGULATORY</b>			
ESD	IEC 61000-4-2 Level 4		
Electromagnetic Interference	IEC 61000-4-3 Level 3		
Harmonic Distortion	IEC 61000-4-4 Level 4		
Surge	IEC 61000-4-5 Level 4		
Conduction	IEC 62040-2 Category C1		
Radiation	IEC 62040-2 Category C1		
Safety	IEC 60950-1 / IEC 62040-1-1		

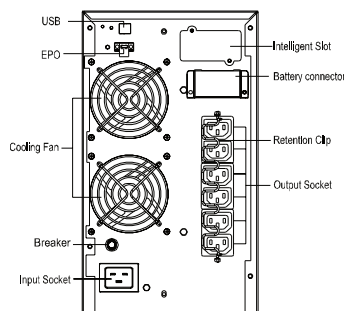
\*Derate to 80% with 200VAC output voltage. \*\*Derate to 90% with 208VAC output voltage. \*\*\*Derate to 60% during Frequency Converter Mode.



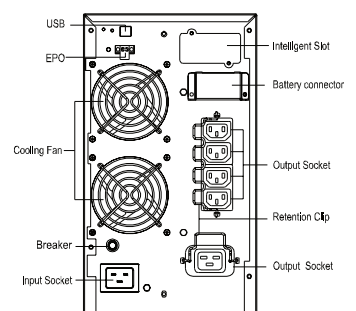
Rear view of B400-010-B (C)



Rear view of B400-020-B



Rear view of B400-020-C



Rear view of B400-030-B (C)